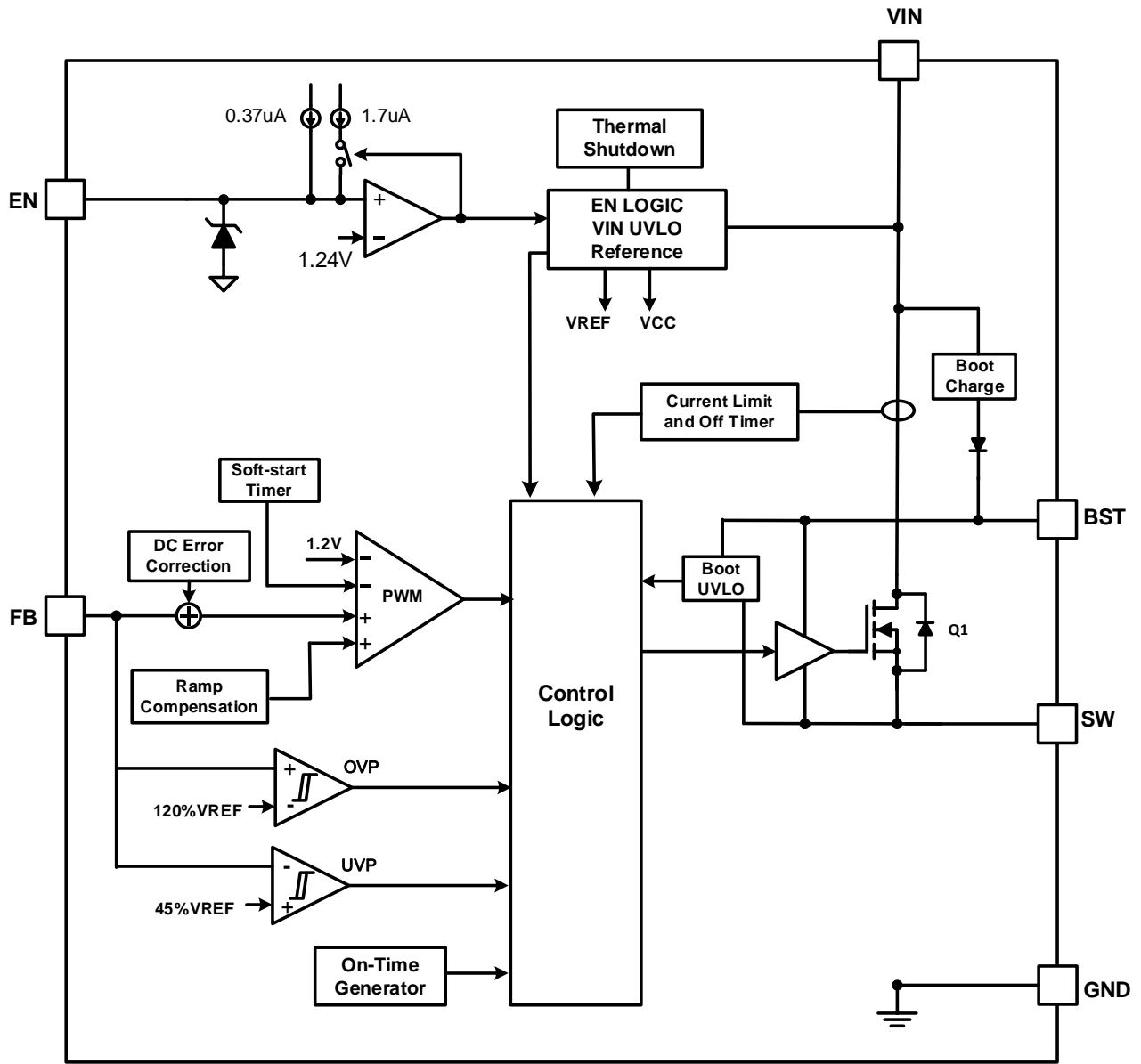
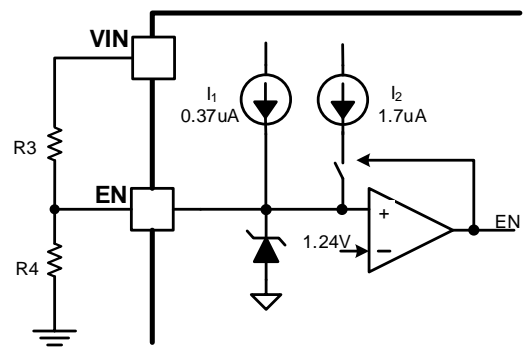


(1)
(2)





-
-

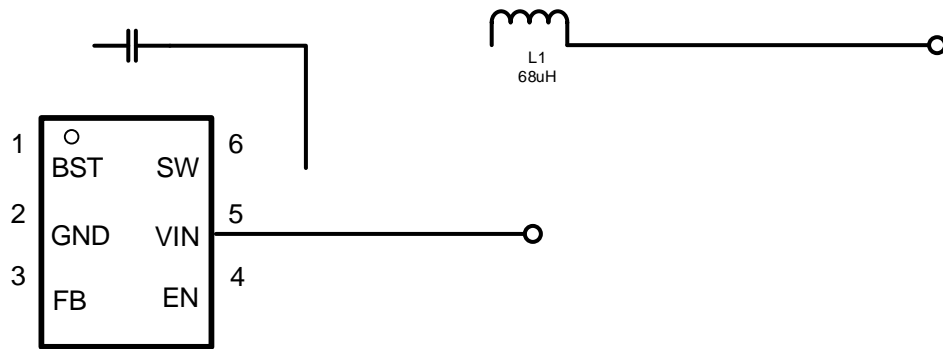
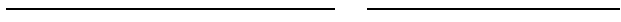


Table 1. R₁, R₂ Value for Common Output Voltage
(Room Temperature)



-
-



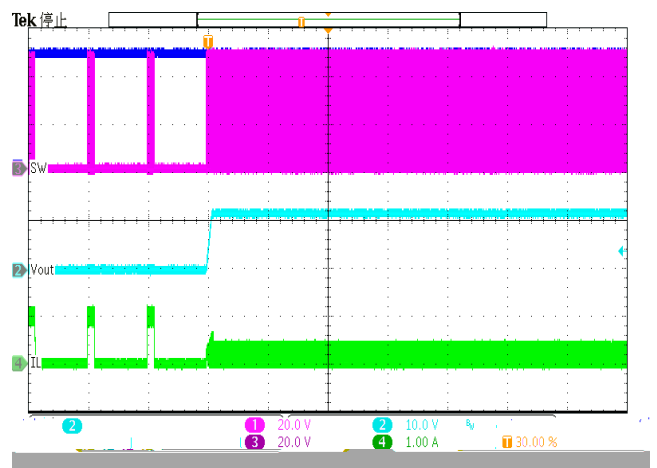
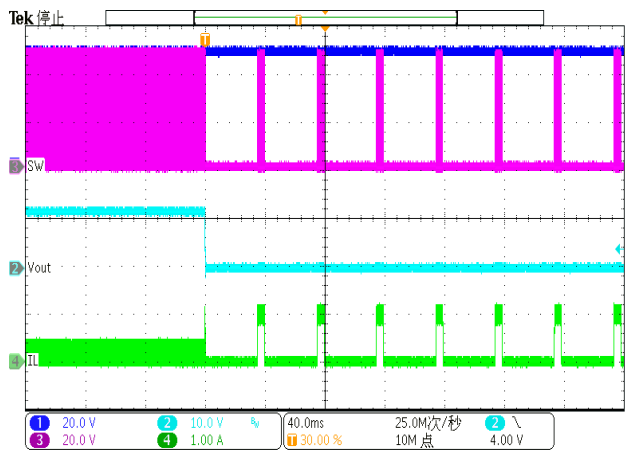
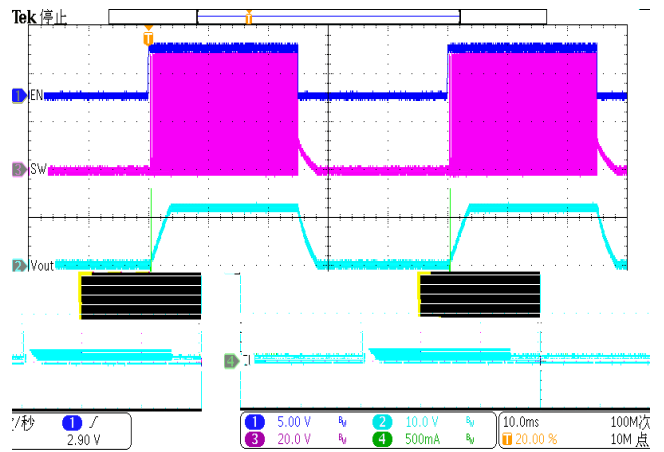
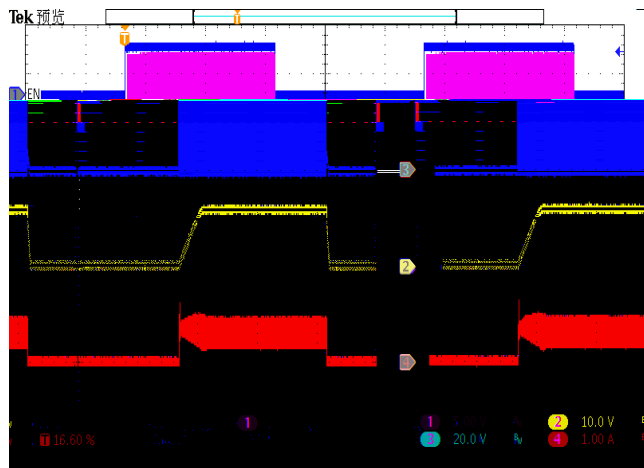
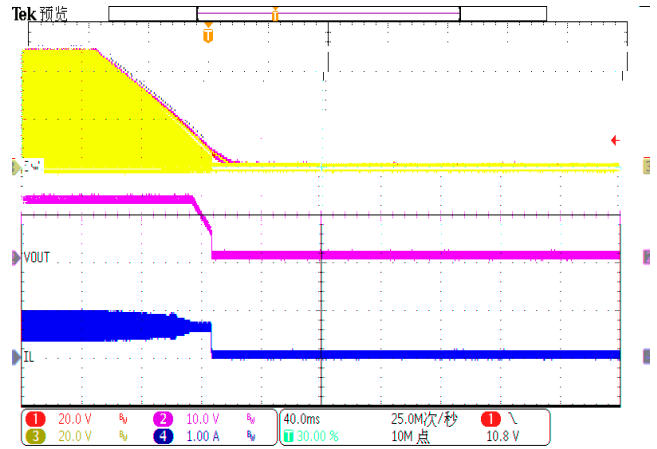
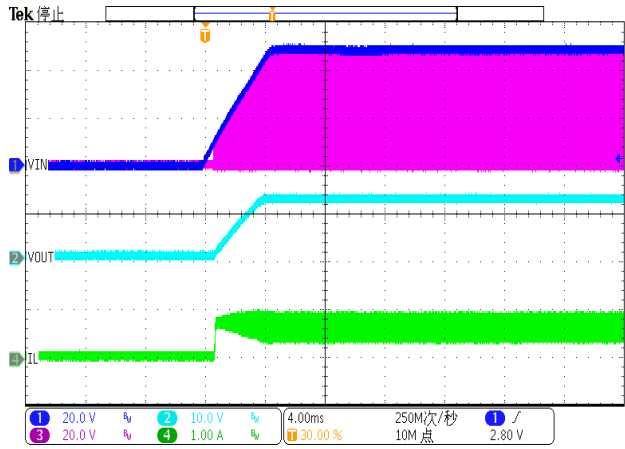




-
-
-
-
-
-

Vout	L1	COUT	R1	R2	C7
------	----	------	----	----	----





1.

2.

3.

4. M

B

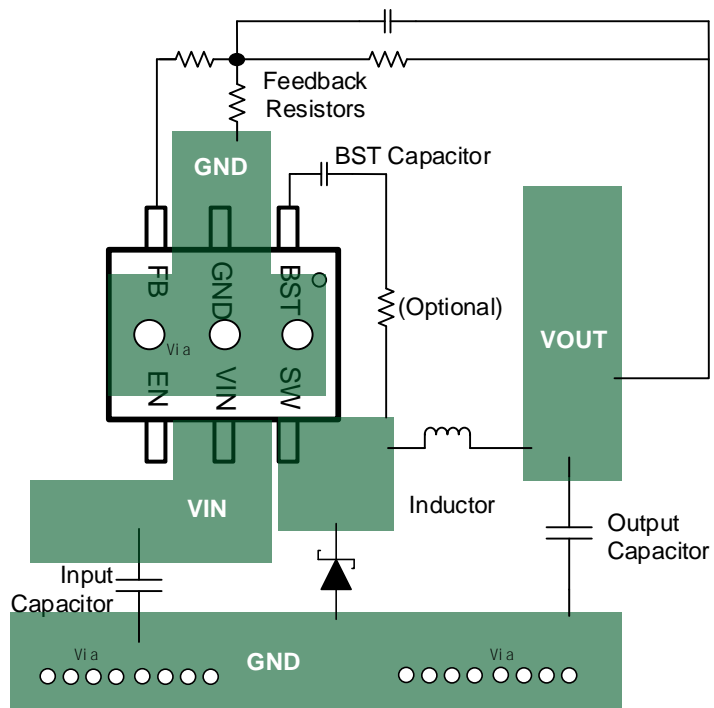
B
H

I
1

LP

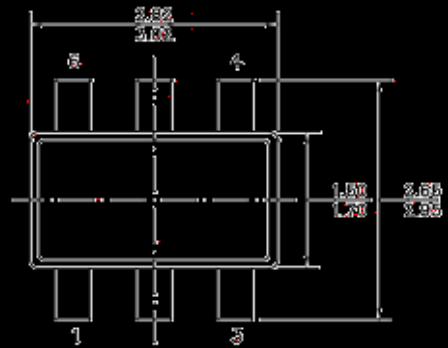
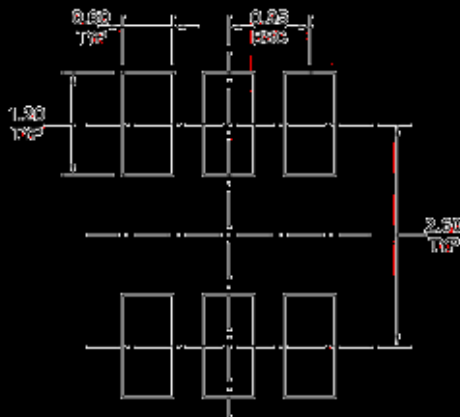
5.

6.



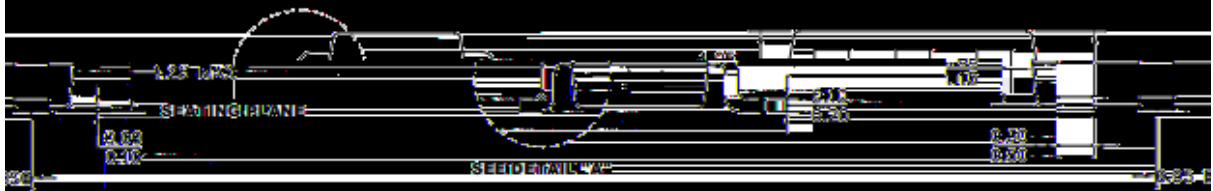
PACKAGE SHEET DRAWING FOR SGT0401

RECOMMENDED LAND PATTERN



RECOMMENDED LAND PATTERN

TOP VIEW



SIDE VIEW

FRONT VIEW

NOTES

- 1) ALL DIMENSIONS ARE IN MILLIMETERS.
- 2) PACKAGE LENGTH DOES NOT INCLUDE MOLD PROTRUSION.
- 3) DIMENSIONS DO NOT INCLUDE MOUNTING HOLES.
- 4) DIMENSIONS DO NOT INCLUDE MOUNTING HOLES.
- 5) DIMENSIONS DO NOT INCLUDE MOUNTING HOLES.
- 6) DIMENSIONS DO NOT INCLUDE MOUNTING HOLES.
- 7) DIMENSIONS DO NOT INCLUDE MOUNTING HOLES.
- 8) DIMENSIONS DO NOT INCLUDE MOUNTING HOLES.
- 9) DIMENSIONS DO NOT INCLUDE MOUNTING HOLES.
- 10) DIMENSIONS DO NOT INCLUDE MOUNTING HOLES.



DETAIL VIEW

SECTION A-A

